

CURBEATER

USER

GUIDE

SUSPENSION PREHEATER

RR50W

Patent No.: NO 341224

INTRODUCTION

Thank you for purchasing the CurbEater RR50W suspension preheater.

Proper control routines are vital before heading out with your motorcycle.

Do not rely alone on the effect of this product before heading out on the road or race track.

CurbEater is not responsible for any harm caused to the motorcycle or its components.

This user guide provides reliable information; however, there is no warranty to the accuracy or completeness of the user guide. CurbEater reserves the right to modify or update the contents of this user guide at any time.

INDEX

1:0 SAFETY PRECAUTIONS

2:0 CONTENTS AND SPECIFICATIONS

3:0 INSTRUCTIONS FOR USE

4:0 WARRANTY

5:0 TEMPERATURE LOG

1:0 SAFETY PRECAUTIONS

Reduce the risk of harm and electrical shock!

INTENDED USE

The RR50W suspension preheater shall only be used as a preheater for motorbike suspensions. The suspension diameter range from 38 to 51 mm.

This product is not for use by persons with reduced physical, sensory or mental capabilities, or lack of experience and knowledge, unless they have been given supervision or instruction by a person responsible for their safety.

WARNING

To reduce the risk of fire, electrical shock or injury:

1. Unplug the unit when not in use due to overheating.
2. Use only as intended.
3. Avoid using in direct sunlight and heated surfaces.
4. Do not use the unit if signs of wear or damage is visible.
5. Do not pull or carry the unit by the cords.
6. Do not plug or unplug in wet conditions.
7. Do not use as a toy. Keep out of reach of children.

2:0 CONTENTS AND SPECIFICATIONS

Make sure you have the right content!

RR50W suspension preheaters:

Effect: 50 W

Voltage: 12 V

Surface temperature: 180°C

Microfiber cloth:

20% polyamide

80% polyester

Powersupply:

Output: 12 V

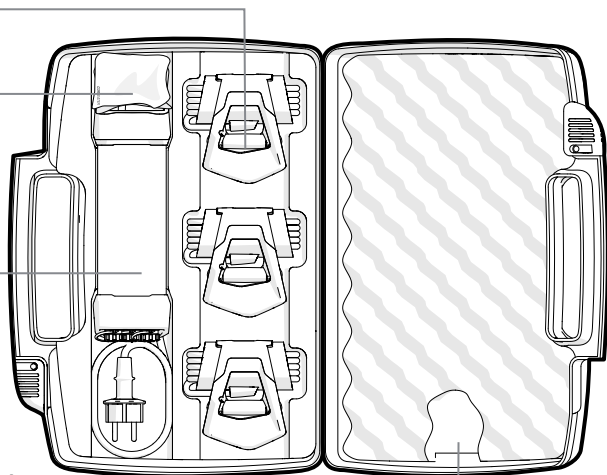
I rated: 12,5 A

P rated: 150 W Max.

IP65

Input: 100-240 V 50-60Hz, 2.0 A Max.

Schuko connector CEE 7/7 plug.

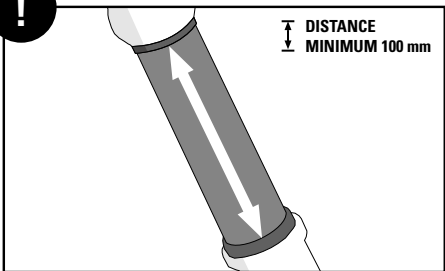
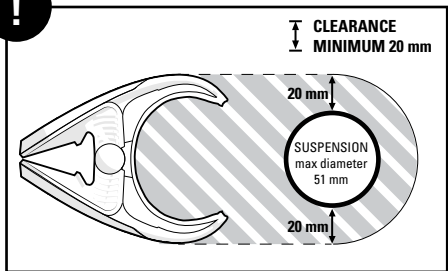
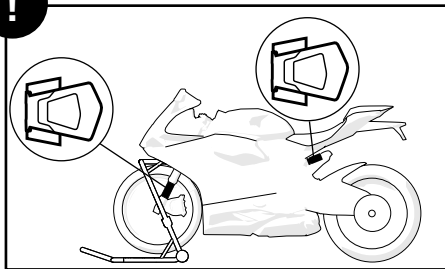
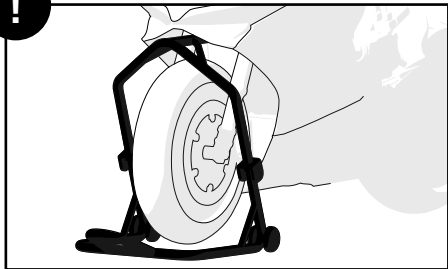


User guide

3:0 INSTRUCTIONS FOR USE

Please carefully follow the instructions for use!

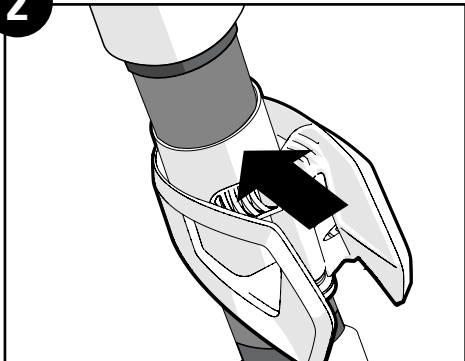
The recommended suspension preheating time is 15-60 minutes.
To achieve optimal function and result, utilize tests and temperature logging.
See temperature log in the last section.



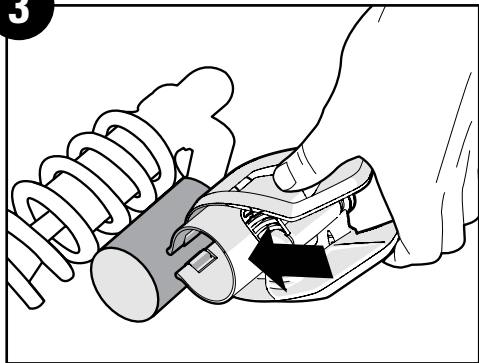
1



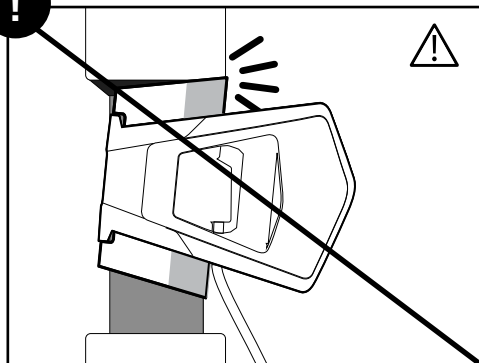
2



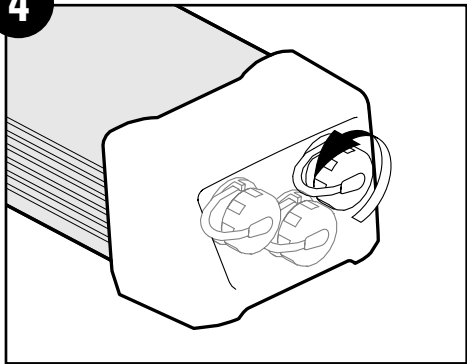
3



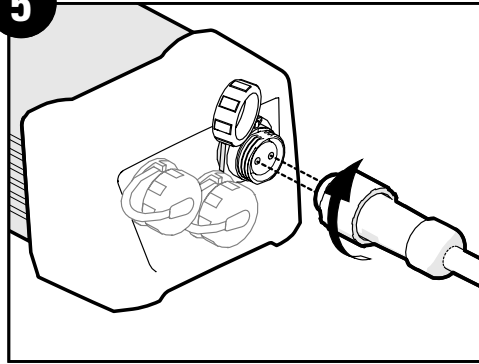
!

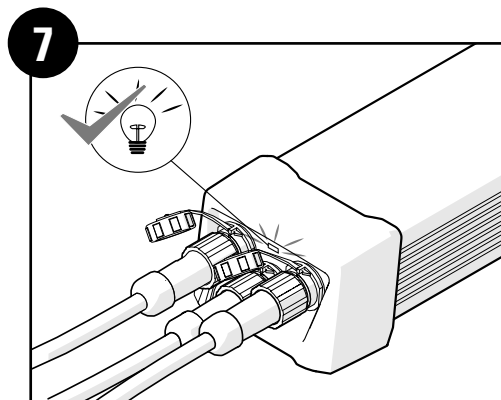
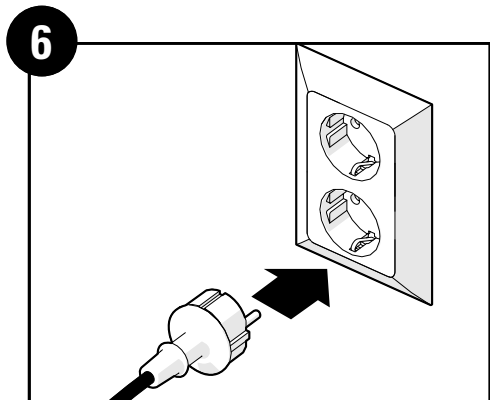


4

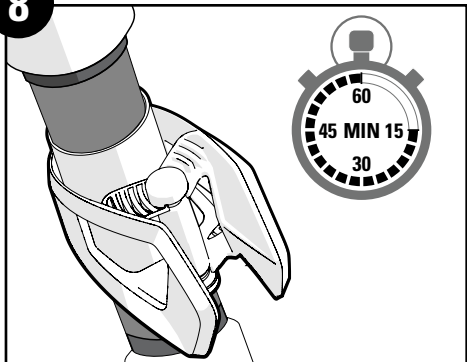


5

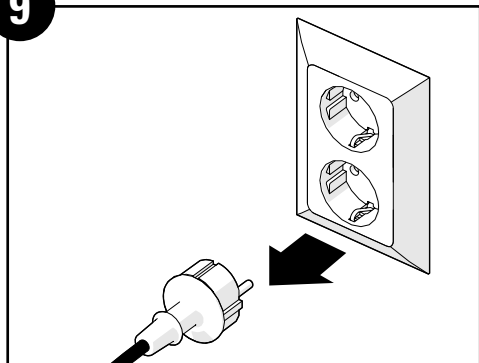




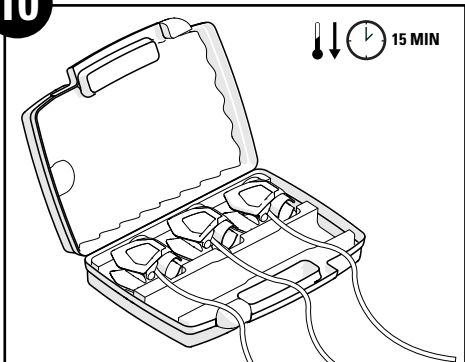
8



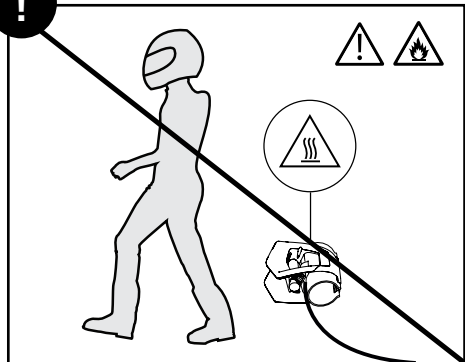
9



10



!



4:0 WARRANTY

Warranty applies to physical goods, and only for the physical goods produced by CurbEater!

WARRANTY

This warranty covers any defects in material or workmanship under normal use during the warranty period. During the warranty period, CurbEater will repair or replace, at no charge, products or parts of a CurbEater product that proves defective because of improper material or workmanship, under intended use and maintenance as specified in this user guide.

The warranty period for physical goods purchased from CurbEater is 2 years from the date of purchase.

This warranty does not cover any problem that is caused by: conditions, malfunctions or damage not resulting from defects in material or workmanship

To obtain warranty service, please contact CurbEater to determine the problem and the most appropriate solution.



CURBEATER

HIGH PERFORMANCE AUXILIARY

SUSPENSION PREHEATER

RR50W

DEVELOPED & MANUFACTURED IN NORWAY

CURBEATER AS
LØKENÅSEN 29, 1900 FETSUND
NORWAY
curbeater.com

COPYRIGHT 2017 © CURBEATER - ALL RIGHTS RESERVED